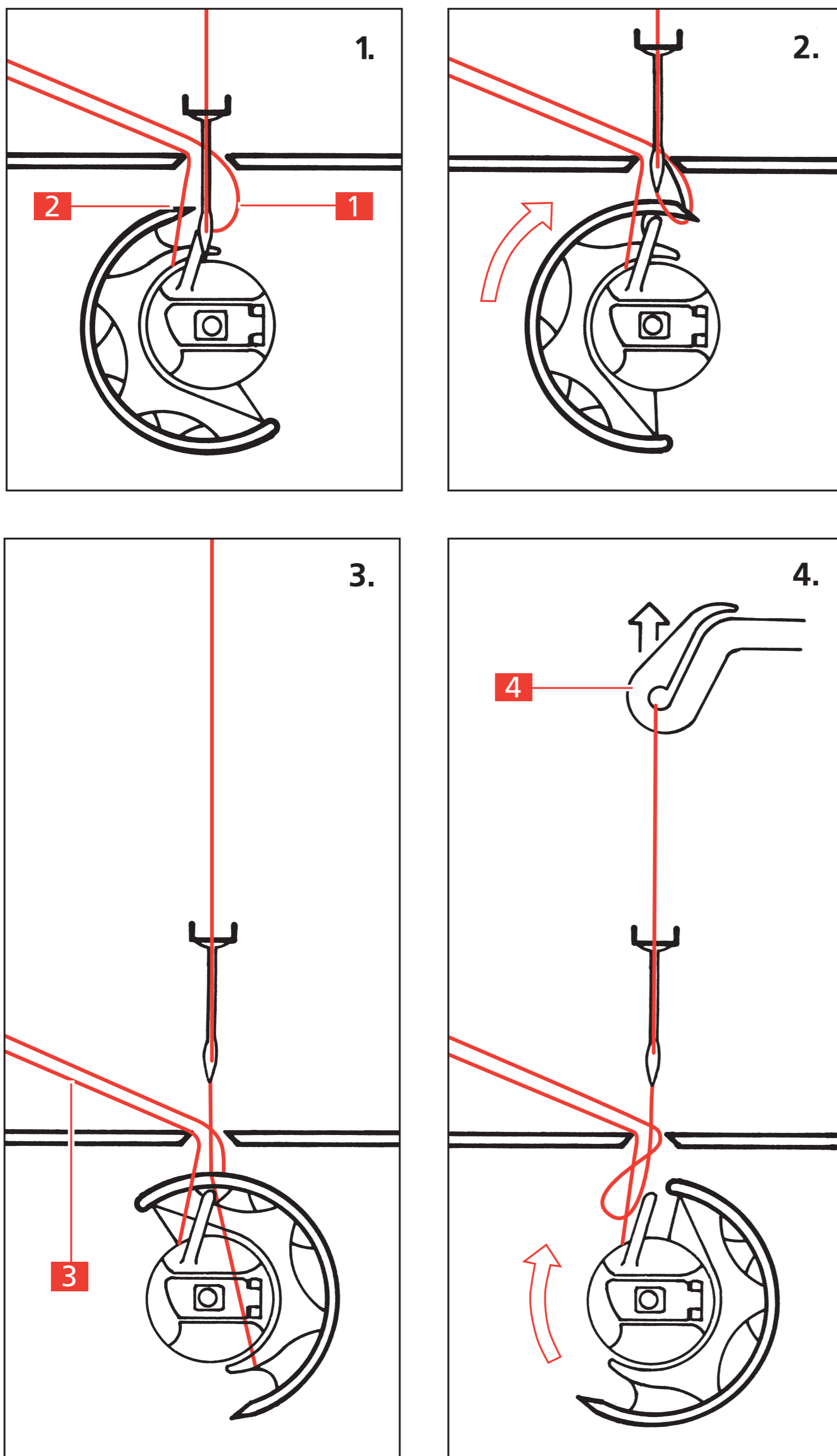


Interlooping to form stitches



Instructions

1. When the needle moves upwards, the upper thread **1** forms a loop that can then be caught by the hook tip **2**.
2. The hook tip catches the loop,
3. and pulls the upper thread down, placing it around the lower thread **3**.
4. The upper thread now lies around the lower thread.
The thread take-up lever tightens the loop **4**, and the hook rotates back until the hook tip reaches the same position as shown in picture 1.